



# ReUzit™ Recycled Water Products



ReUzit™ range of products specifically designed for domestic and small commercial Aerobic Treatment Systems (ATS).

### Features

- Low pressure bubbler with large droplet size.
- Low operating pressure range ideal for recycled water sump pumps.
- Robust stake with hammer point for inserting into soil.
- Bubbler Assembly with 0.09" diameter nozzle size to reduce clogging.
- Spray Assembly with 0.11" diameter nozzle size to reduce clogging.
- 15" flexible riser pipe with easy insert adapter.
- Purple (lilac) colored components for easy identification of recycled water.

### Applications

Trees, shrubs and ground covers in mulched areas.

RECYCLED WATER



ReUzit™ Bubbler Assembly with Stake, 0.16" Tube & Adapter

ReUzit™ Spray Assembly with Stake, 0.16" Tube & Adapter

Performance	ReUzit™ BUBBLER ASSEMBLY Tested 8" above ground		ReUzit™ SPRAY ASSEMBLY Tested 8" above ground	
	FLOW (gph)	DIAMETER (ft)	FLOW (gph)	DIAMETER (ft)
4	19	2.0	40	4.3
6	22	2.3	45	4.6
7	26	2.6	52	5.6
9	28	3.0	57	7.2
10	31	3.1	61	8.5
12	33	3.3	65	8.5
13	35	3.4	69	8.5
15	37	3.6	71	8.5

### ReUzit™ Bubbler Assembly with Stake, 0.16" Tube & Adapter

TYPE	PART NUMBER	PACK QUANTITY	PACKS PER CARTON	CARTON (lbs)
ReUzit™ BUBBLER ASSEMBLY with Stake, 0.16" Tube & Adapter	42005	10	15	13.9

### ReUzit™ Spray Assembly with Stake, 0.16" Tube & Adapter

TYPE	PART NUMBER	PACK QUANTITY	PACKS PER CARTON	CARTON (lbs)
ReUzit™ SPRAY ASSEMBLY with Stake, 0.16" Tube & Adapter	40595	10	10	11.4

### Specifications

DIMENSIONS ASSEMBLED		ReUzit™ BUBBLER ASSEMBLY	ReUzit™ SPRAY ASSEMBLY
HEIGHT		13.5"	14.3"
WIDTH		2.0"	2.0"
DEPTH		1.1"	1.1"
WEIGHT (approx)		1.6 oz	1.9 oz
UV STABILIZED MATERIAL	FRAME	acetal	acetal
	NOZZLE	acetal	acetal
	DEFLECTOR	acetal	-
	SPRINKLER ADAPT.	-	polypropylene
	STAKE	polypropylene	polypropylene
	TUBE	PVC	PVC
	JOINER	acetal	acetal
BASE/CONNECTION TYPE: Inlet		BARB 0.16"	BARB 0.16"

**NEW**

# ReUzit™ Recycled Water Products



ReUzit™ range of products specifically designed for domestic and small commercial Aerobic Treatment Systems (ATS).

### Features

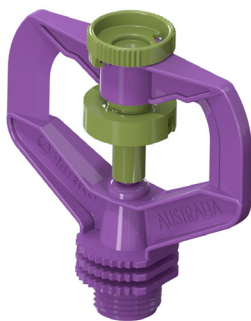
- Low pressure sprinkler with large droplet size.
- Low operating pressure range ideal for recycled water sump pumps.
- Robust stake with hammer point for inserting into soil.
- Large 0.15" diameter nozzle size to reduce clogging.
- 1/2" barbed take-off to suit low density poly tubing.
- Purple (lilac) colored components for easy identification of recycled water.

### Applications

Localized watering of trees and shrubs on mulched areas.



ReUzit™ Sprinkler Assembly with Stake 1/2" Inlet



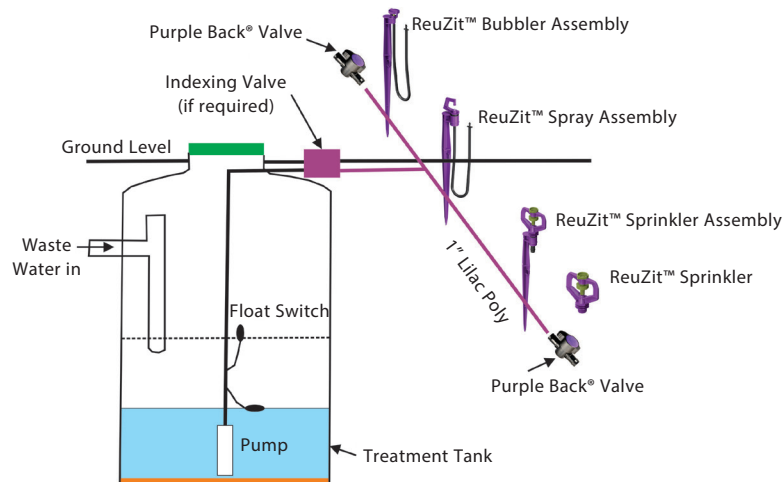
ReUzit™ Sprinkler 1/2" BSPM

Performance		ReUzit™ SPRINKLER Tested 8" above ground	
PRESSURE (psi)		FLOW (gph)	DIAMETER (ft)
		4	73
6	89	10.2	
7	100	11.2	
9	111	12.8	
10	120	14.1	
12	129	14.6	
13	137	15.1	
15	145	15.4	

### ReUzit™ Sprinkler

TYPE	PART NUMBER	PACK QUANTITY	PACKS PER CARTON	CARTON (lbs)
ReUzit™ SPRINKLER ASSEMBLY with Stake 1/2" Inlet	40585	10	8	11.5
ReUzit™ SPRINKLER 1/2" BSPM	21575	10	20	13.7

### Typical Aerobic Treatment System



### Specifications

DIMENSIONS ASSEMBLED		ReUzit™ SPRINKLER ASSEMBLY	ReUzit™ SPRINKLER 1/2" BSPM
HEIGHT		16.0"	3.8"
WIDTH		3.5"	3.5"
DEPTH		1.2"	-
WEIGHT (approx)		2.1 oz	1.3 oz
UV STABILIZED MATERIAL	FRAME NOZZLE SPINNER STAKE ADAPTER	polypropylene acetal acetal polypropylene polypropylene	polypropylene acetal acetal - -
BASE/CONNECTION TYPE: Inlet		BARB 0.16"	THREAD 1/2" BSPM

RECYCLED WATER