

Putting Water Where it Counts![®]



Rotor Max[™] Midi Sprinklers

Made in Australia

antelco.com

Rotor Max™ Midi Sprinklers

Robust and reliable “spinner” sprinkler for use above and below plant foliage and with two trajectory options. Excellent sprinkler distribution patterns and performance.

Features

- Dual outlet spinner enhances performance.
- Standard model has a 25° trajectory with black coloured spinner.
- Inverted model has a 0° flat trajectory with khaki coloured spinner.
- Range includes two low flow nozzle sizes (2.0 mm & 2.4 mm).
- Easily taken apart for servicing.
- UV stabilised materials for long life.

Rotor Max™ Deflector

- Easy snap-on field fitted 180° Deflector.
- Directional ribs distribute the water evenly over the 180° pattern.
- Water is redirected by the cupped spray plate providing improved application uniformity over flat plate deflectors.

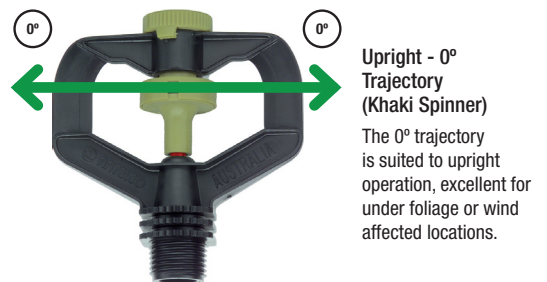


Rotor Stake™ Range
10mm - Code: 40515
13mm - Code: 40535

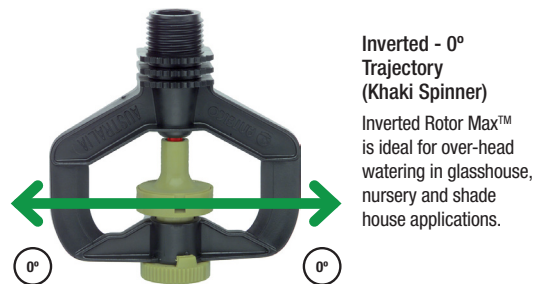
* Refer to pages 42 & 43 for Sprinkler Accessories.



Upright - 25° Trajectory (Black Spinner)



Upright - 0° Trajectory (Khaki Spinner)
The 0° trajectory is suited to upright operation, excellent for under foliage or wind affected locations.



Inverted - 0° Trajectory (Khaki Spinner)
Inverted Rotor Max™ is ideal for over-head watering in glasshouse, nursery and shade house applications.

Applications

Greenhouses, vegetable row crops and under tree watering. **Accessory - Rotor Max™ Deflector:** Part circle operation for road edges, driveways and end of sprinkler rows.

Performance Chart

Nozzle Size & Colour	Pressure (kPa)	Flow (lph)	Upright - 25° on 0.2 m Riser		Inverted - 0° on 2 m Riser
			Diameter (m)	Stream Height (m)	Diameter (m)
2.0 mm Yellow	100	145	6.8	0.7	7.2
	150	175	8.0	1.0	8.2
	200	205	9.0	1.1	9.2
	250	230	9.4	1.1	9.4
	300	255	9.8	1.2	9.6
2.4 mm Green	100	215	7.6	0.7	8.4
	150	275	9.0	1.0	9.2
	200	315	10.0	1.1	9.8
	250	345	10.2	1.1	10.2
2.8 mm Red	100	300	11.0	0.9	11.0
	150	355	12.0	1.0	11.0
	200	400	13.0	1.2	12.0
	250	460	13.0	1.2	12.0
3.2 mm Black	100	375	11.0	0.9	11.0
	150	460	12.0	1.0	12.0
	200	540	13.0	1.2	13.0
	250	600	13.0	1.2	13.0
3.8 mm Purple	100	550	11.9	0.7	11.9
	150	665	12.5	0.9	12.5
	200	775	13.8	1.0	13.0
	250	875	14.0	1.1	14.0
300	975	13.4	1.2	13.0	

Ordering Information - Rotor Max™ 3/8" Male Thread

Nozzle Size & Colour	Order Code	Pack Quantity	Packs Per Carton	Carton (kg)
2.0 mm Yellow	21175	20	10	8.0
2.4 mm Green	21185	20	10	8.0
2.8 mm Red	21155	20	10	8.0
3.2 mm Black	21105	20	10	8.0
3.8 mm Purple	21165	20	10	8.0

Ordering Information - Rotor Max™ 1/2" Male Thread

Nozzle Size & Colour	Order Code Upright Black 25°	Order Code Inverted Khaki 0°	Pack Quantity	Packs Per Carton	Carton (kg)
2.0 mm Yellow	21075	21585	20	10	8.2
2.4 mm Green	21085	21595	20	10	8.2
2.8 mm Red	21055	21555	20	10	8.2
3.2 mm Black	21005	21505	20	10	8.2
3.8 mm Purple	21065	21565	20	10	8.2

Specifications

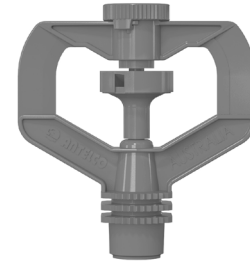
Dimensions Assembled		UV Stabilised Material		Base/Connection Type
HEIGHT	96 mm	FRAME	polypropylene	INLET thread 3/8" BSPM
WIDTH	90 mm	SPINNER	acetal	INLET thread 1/2" BSPM
WEIGHT (approx)	38 g	NOZZLE	acetal	

Ordering Information - Rotor Max™ 180° Deflector

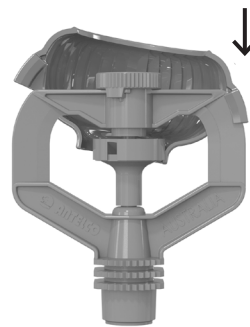
Nozzle Size & Colour	Order Code	Pack Quantity	Packs Per Carton	Carton (kg)
Deflector 180°	21365	10	28	4.8



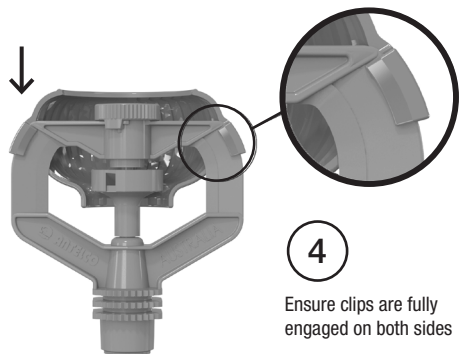
1
Align deflector vertically above sprinkler frame



2
Slide one clip over edge of frame



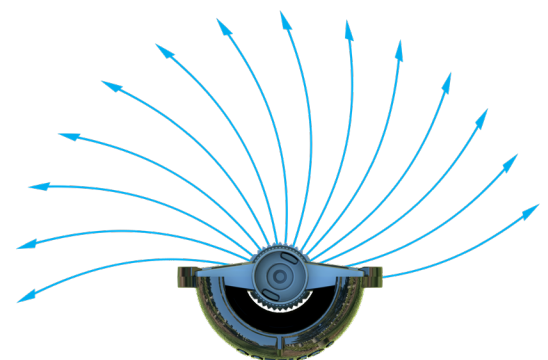
4
Ensure clips are fully engaged on both sides



3
Push down on top of other clip until deflector locks into place



Rotor Max™ 180° Deflector



Antelco Group of Companies

LINCOLN
— Est. 1959 —
MOULDING THE FUTURE

ANTELCO®

Dawn



Antelco Australia
Antelco Pty Ltd ABN 50 008 062 708
Sales & Marketing,
Orders & Warehouse
Research & Development
PO Box 95, 131 Tolley Rd,
St Agnes SA 5097 Australia
+61 8 8334 4333
adelaide@antelco.com.au

Antelco USA
Antelco Corporation
Sales & Marketing,
Orders & Warehouse
886 Waterway Pl,
Longwood,
Florida 32750 USA
+1 407 331 0699
info@antelco.com

Antelco Europe
Antelco UK Limited
Sales & Marketing,
Orders & Warehouse
17a Chartmoor Rd,
Leighton Buzzard,
Bedfordshire LU7 4WG UK
+44 152 585 9990
orders@antelco.co.uk